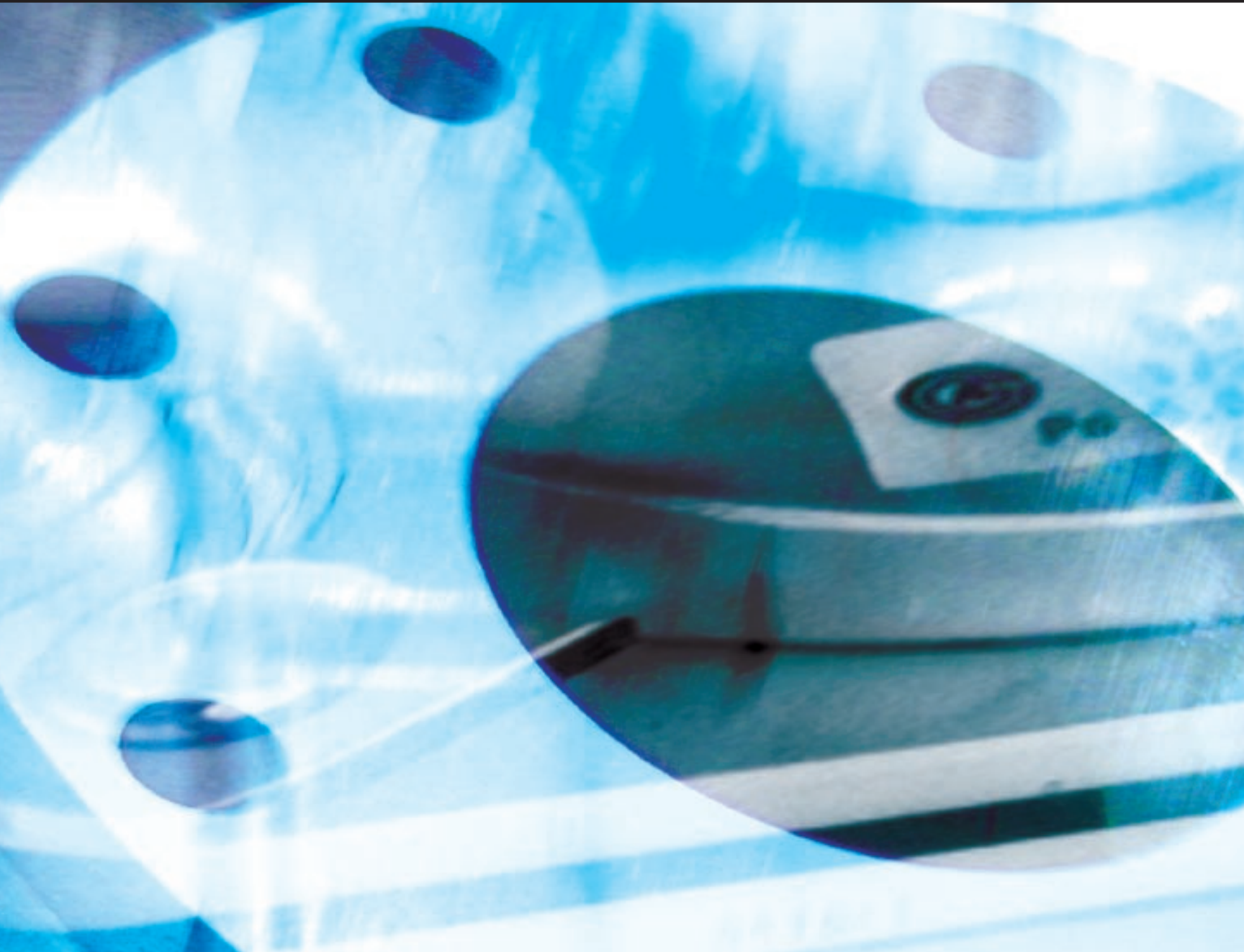


Gas Pressure Regulators & Filters



MERTIK MAXITROL  0085

Exclusive Distributor for Maxitrol Company

Contents

Gas Appliance Regulators

RVLM Series - Rubber Seat Poppet Design	3
RV Series - Straight-Thru-Flow Design	5
R & RS Series - Balanced Valve Design	8
210 Series - Balanced Valve Design	10
325 Series - Lever Acting Design	12
Accessories	
Vent Limiting Device	14
Pressure Tap Connector	14
Dust Cap	14
Tamper Proof Seals	15
Sizing a Regulator	15

HF 2000 Series Gas & Air Filters	16
--	----

Pressure Drop Charts

RVLM Series	19
RV Series	20
R & RS Series	21
210 Series	22
325 Series	23
HF 2000 Series Gas & Air Filters	24

All regulators and filters should be installed and operated in accordance with Mertik Maxitrol's Safety Warning Bulletins. Mertik Maxitrol Company is NOT responsible for any errors or omissions in reliance by anyone of any information set forth in this handbook without additional reference to local requirements and applicable ordinances or codes.

Other worldwide approvals and certifications available upon inquiry.

RVLM Series - RUBBER SEAT POPPET DESIGN

DESCRIPTION

The compact RVLM Series poppet regulators are designed primarily for main burner and pilot load applications. Typical applications include residential and commercial cooking appliances, hearth products, pilot lines, and residential water heaters.

SPECIFICATIONS

Connections:	Rp 1/8 thru Rp 3/4
Housing Material:	Aluminium
Internal Components:	Steel, aluminum, elastomer
Mounting:	Suitable for multi-positional mounting. Install with gas flowing as indicated by the arrow on bottom casting.
Construction and Design:	According to EN 88 and Gas Appliances Directive 90/396/EEC
Classification:	Regulator grade B, group 2 according to EN 88
Gas Type:	Gas family 1, 2, and 3 according to EN 437
Inlet Pressure:	10 kPa
Outlet Pressure:	0,25 to 3 kPa
Ambient Temperature Range:	-15°C to 80°C
Thread Connections:	According to EN 10226-1 / ISO 7-1
Pressure Drop:	Please refer to page 19.

RV12LM

Pipe Sizes: Rp 1/8
Capacity: 0,5 m³/h air @ 0,25 kPa pressure drop
Weight: 0,04 kg

Outer Dimensions	
A. 43 mm	B. 9 mm
C. 43 mm	D. 35 mm

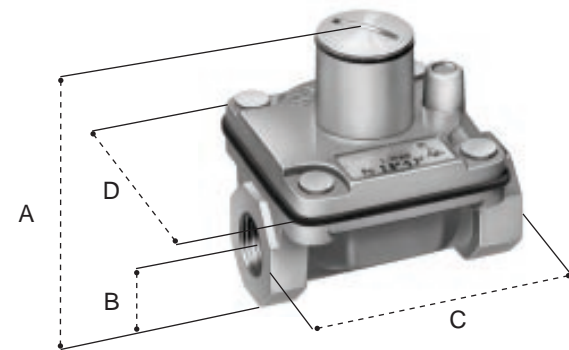
RV20LM

Pipe Sizes: Rp 1/4, 3/8
Capacity: 1,3 m³/h air @ 0,25 kPa pressure drop
Weight: 0,10 kg

Outer Dimensions	
A. 55 mm	B. 13 mm
C. 61 mm	D. 45 mm

NOTE: For dimensions of RV47LM and RV48LM see page 4.

RV12LM, RV20LM
RV47LM, RV48LM



NOTE: Dimensions are to be used only as an aid in designing clearance for the valve. Actual production dimensions may vary somewhat from those shown.

RV47LM

Pipe Sizes: Rp $\frac{3}{8}$, $\frac{1}{2}$

Capacity: 2,2 m³/h air @ 0,25 kPa pressure drop

Weight: 0,17 kg

Outer Dimensions	
A. 66 mm	B. 16 mm
C. 75 mm	D. 57 mm

RV48LM

Pipe Sizes: Rp $\frac{1}{2}$, $\frac{3}{4}$

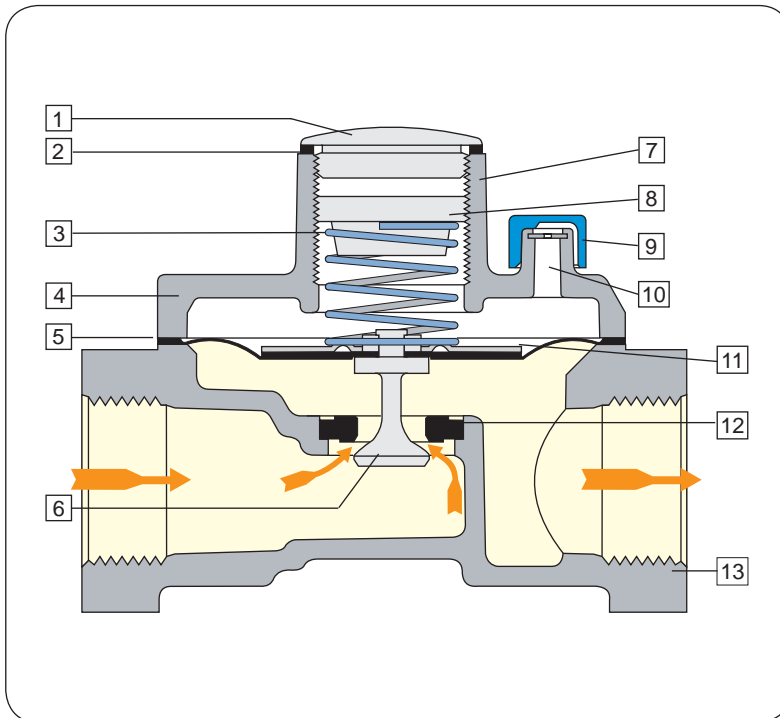
Capacity: 4,8 m³/h air @ 0,25 kPa pressure drop

Weight: 0,26 kg

Outer Dimensions	
A. 72 mm	B. 19 mm
C. 86 mm	D. 75 mm

NOTE: Dimensions are to be used only as an aid in designing clearance for the valve. Actual production dimensions may vary somewhat from those shown.

Drawing of RV47LM and RV48LM see page 3.



- | | | | |
|---|-----------------|----|-----------------|
| 1 | Seal Cap | 8 | Adjusting Screw |
| 2 | Seal Cap Gasket | 9 | Dust Cap |
| 3 | Spring | 10 | Vent |
| 4 | Top Housing | 11 | Diaphragm Plate |
| 5 | Diaphragm | 12 | Rubber Seat |
| 6 | Stem & Valve | 13 | Bottom Housing |
| 7 | Stack | | |

RV Series - STRAIGHT-THRU-FLOW DESIGN

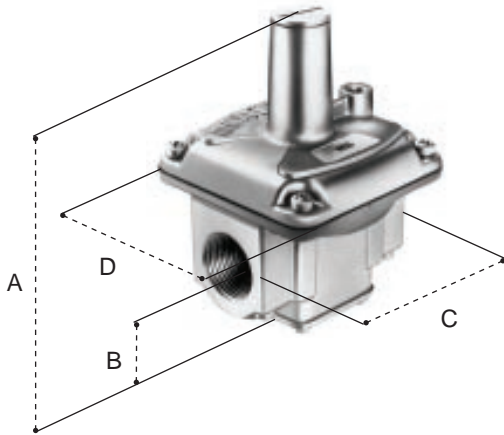
DESCRIPTION

Maxitrol's original straight-thru-flow design regulators are used on burner systems which require no lockup characteristic. Typical applications include residential, commercial, and industrial gas-fired appliances and equipment used on low/medium pressure gas supply.

SPECIFICATIONS

Connections:	Rp 1/2 thru Rp 3, DN100 (flanged) (RV131FM)
Housing Material:	Aluminum, cast iron (RV131FM)
Internal Components:	Steel, aluminum, elastomer
Mounting:	RV52, RV53, RV61 multi-positional mounting (if vent limiting device is installed, mount in an upright position only). RV81, RV91, RV111, RV131 upright position only. Install with gas flowing as indicated by the arrow on bottom casting.
Construction and Design:	According to EN 88 and Gas Appliances Directive 90/396/EEC
Classification:	Regulator grade B, group 2 according to EN 88
Gas Type:	Gas family 1, 2, and 3 according to EN 437
Inlet Pressure:	
RV52M:	10 kPa
RV53M, RV61M, RV81M, RV91M, RV111M:	20 kPa
RV131FM:	35 kPa
Outlet Pressure:	
RV52M:	0,25 to 5,5 kPa
RV53M, RV61M:	0,25 to 7,5 kPa
RV81M, RV91M, RV111M:	0,25 to 10,5 kPa
RV131FM:	0,5 to 10,5 kPa
Ambient Temperature Range:	-15°C to 80°C
Thread Connections:	According to EN 10226-1 / ISO 7-1
Flanged Connections:	According to ISO 7005-2 PN 16
Seven different body sizes	
Pressure Drop:	Please refer to page 20.

RV52/53M



RV52M

Pipe Sizes: Rp 1/2, 3/4

Capacity: 8,0 m³/h air @ 0,25 kPa pressure drop

Weight: 0,45 kg

Outer Dimensions	
A. 120 mm	B. 33 mm
C. 81 mm	D. 83 mm

RV53M

Pipe Sizes: Rp 3/4, 1

Capacity: 12,0 m³/h air @ 0,25 kPa pressure drop

Weight: 0,72 kg

Outer Dimensions	
A. 139 mm	B. 35 mm
C. 103 mm	D. 99 mm

RV61M

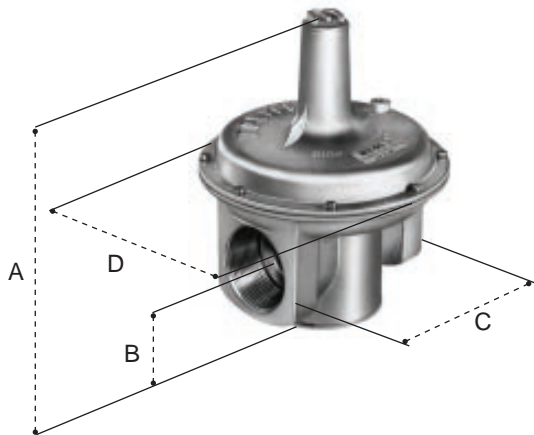
Pipe Sizes: Rp 1, 1 1/4

Capacity: 25,0 m³/h air @ 0,25 kPa pressure drop

Weight: 1,10 kg

Outer Dimensions	
A. 167 mm	B. 43 mm
C. 112 mm	D. 138 mm

RV61M, RV81M, RV91M, RV111M



RV81M

Pipe Sizes: Rp 1 1/4, 1 1/2

Capacity: 40,0 m³/h air @ 0,25 kPa pressure drop

Weight: 2,20 kg

Outer Dimensions	
A. 216 mm	B. 53 mm
C. 146 mm	D. 178 mm

RV91M

Pipe Sizes: Rp 2, 2 1/2

Capacity: 70,0 m³/h air @ 0,25 kPa pressure drop

Weight: 3,70 kg

Outer Dimensions	
A. 272 mm	B. 63 mm
C. 181 mm	D. 232 mm

RV111M

Pipe Sizes: Rp 2 1/2, 3

Capacity: 150,0 m³/h air @ 0,25 kPa pressure drop

Weight: 7,0 kg

Outer Dimensions	
A. 382 mm	B. 87 mm
C. 229 mm	D. 342 mm

NOTE: Dimensions are to be used only as an aid in designing clearance for the valve. Actual production dimensions may vary somewhat from those shown.

RV131FM

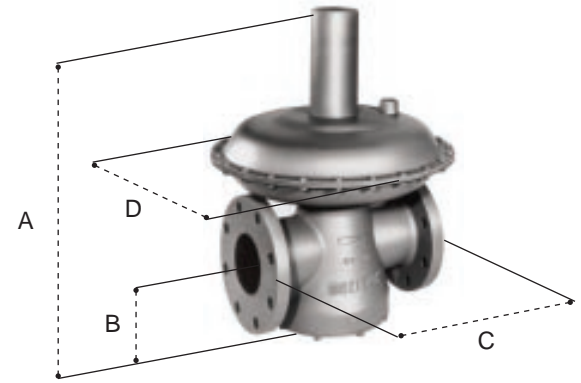
Pipe Sizes: DN 100

Capacity: 250,0 m³/h air @ 0,25 kPa pressure drop

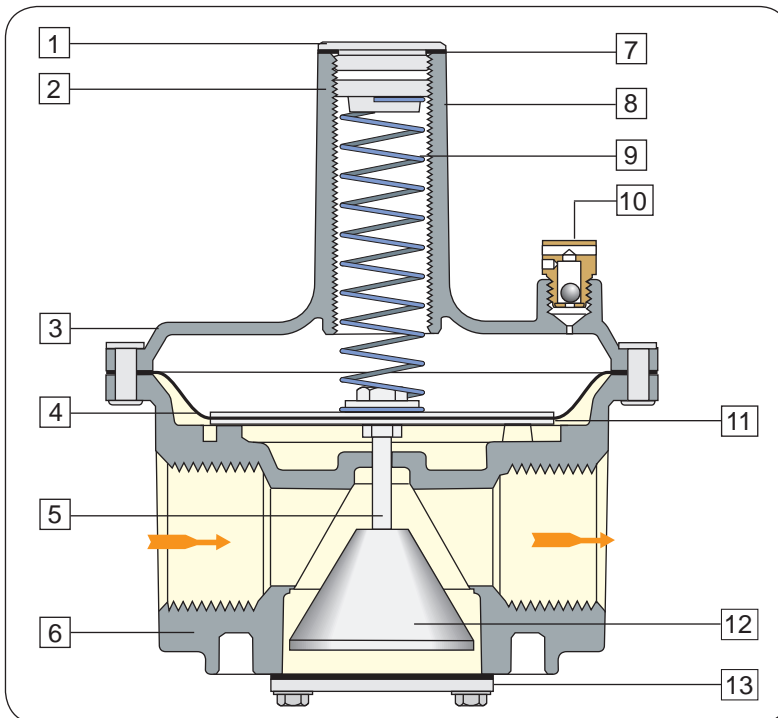
Weight: 57,0 kg

Outer Dimensions	
A. 574 mm	B. 120 mm
C. 350 mm	D. 457 mm

RV131FM



NOTE: Dimensions are to be used only as an aid in designing clearance for the valve. Actual production dimensions may vary slightly from those shown.



- | | | | |
|---|-----------------|----|----------------------|
| 1 | Seal Cap | 8 | Stack |
| 2 | Adjusting Screw | 9 | Spring |
| 3 | Top Housing | 10 | Vent Limiting Device |
| 4 | Diaphragm | 11 | Diaphragm Plates |
| 5 | Stem | 12 | Valve |
| 6 | Bottom Housing | 13 | Bottom Plate |
| 7 | Seal Cap Gasket | | |

R & RS Series - BALANCED VALVE DESIGN

DESCRIPTION

The R & RS regulators are for main burner and pilot load applications. They are ideal for use in industrial applications such as infrared heaters and on pilot lines for large process heaters and bakers. They may also be used in residential applications as appliance regulators, "Z" models for air/gas ratio control, or as zero pressure regulators.

SPECIFICATIONS

Connections:Rp $\frac{3}{8}$ thru Rp 1
Housing Material:Aluminium
Internal Components:Steel, aluminum, brass, elastomer
Mounting:Suitable for multi-positional mounting. If vent limiting device is installed, mount in an upright position only. Install with gas flowing as indicated by the arrow on bottom casting.
Construction and Design:According to EN 88 and Gas Appliances Directive 90/396/EEC
Classification:Regulator grade A, group 2 according to EN 88
Gas Type:Gas family 1, 2, and 3 according to EN 437
Inlet Pressure:	
R400SM, R500SM, R600SM:36 kPa
R400ZM, R500ZM, R600ZM:10 kPa
Outlet Pressure:	
R400SM, R500SM:0,25 to 5,5 kPa
R600SM:0,25 to 7,5 kPa
R400ZM, R500ZM, R600ZM:-0,25 to +0,35 kPa
Ambient Temperature Range:-15°C to 80°C
Thread Connections:According to EN 10226-1 / ISO 7-1
Three different body sizes	
Pressure Drop:Please refer to page 21.

R400S(Z)M

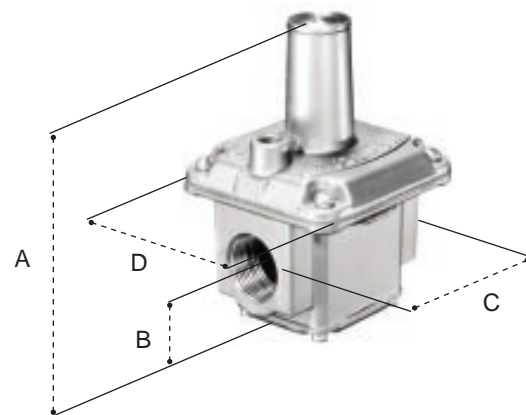
Pipe Sizes: Rp $\frac{3}{8}$, $\frac{1}{2}$

Capacity: 5,0 m³/h air @ 0,25 kPa pressure drop

Weight: 0,2 kg

Outer Dimensions			
A.	86 mm	B.	24 mm
C.	56 mm	D.	51 mm

R400SM, R500SM, R600SM



NOTE: Dimensions are to be used only as an aid in designing clearance for the valve. Actual production dimensions may vary slightly from those shown.

R500S(Z)M

Pipe Sizes: Rp 1/2, 3/4

Capacity: 10,0 m³/h air @ 0,25 kPa pressure drop

Weight: 0,43 kg

Outer Dimensions	
A. 118 mm	B. 36 mm
C. 86 mm	D. 83 mm

R600S(Z)M

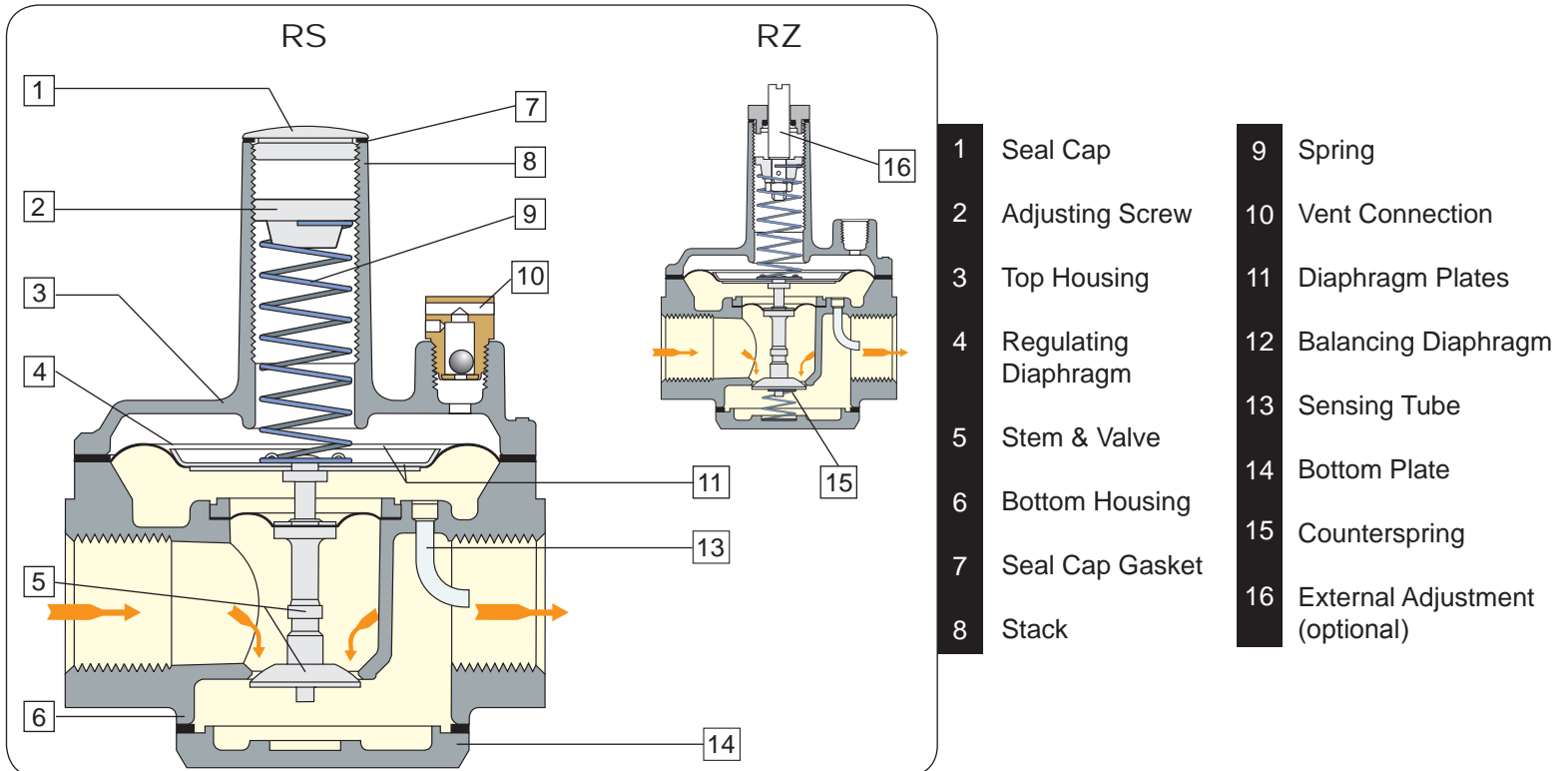
Pipe Sizes: Rp 3/4, 1

Capacity: 18,0 m³/h air @ 0,25 kPa pressure drop

Weight: 0,7 kg

Outer Dimensions	
A. 146 mm	B. 37 mm
C. 103 mm	D. 99 mm

NOTE: Dimensions are to be used only as an aid in designing clearance for the valve. Actual production dimensions may vary slightly from those shown.



210 Series - BALANCED VALVE DESIGN

DESCRIPTION

The 210 Series balanced valve design is a lock-up type regulator. Its intended applications include gas-fired boilers, steam generators, industrial furnaces, and ovens.

SPECIFICATIONS

Connections:	Rp 1 thru Rp 3, DN 100 (flanged 210JM)
Housing Material:	Aluminum, cast iron (210J(Z)M)
Internal Components:	Steel, aluminum, brass, elastomer
Mounting:	Suitable for multi-positional mounting. If vent limiting device is installed, mount in an upright position only. Install with gas flowing as indicated by the arrow on bottom casting.
Construction and Design:	According to EN 88 and Gas Appliance Directive 90/396/EEC
Classification:	Regulator grade A, group 2 according to EN 88
Gas Type:	Gas family 1, 2, and 3 according to EN 437
Inlet Pressure:	
210DM, 210EM, 210GM, 210JM:	85 kPa
210DZM, 210EZM, 210GZM, 210JZM:	36 kPa
Outlet Pressure:	
210DM, 210EM, 210GM:	0,25 to 10,5 kPa
210JM:	0,5 to 10,5 kPa
210DZM, 210EZM, 210GZM, 210JZM:	-0,25 to +0,35 kPa
Ambient Temperature Range:	-15°C to 80°C
Thread Connections:	According to EN 10226-1 / ISO 7-1
Flanged Connections:	According to ISO 7005-2 PN 16
Four different body sizes	
Pressure Drop:	Please refer to page 22.

210D(Z)M

Pipe Sizes: Rp 1, 1¼, 1½

Capacity: 30,0 m³/h air @ 0,25 kPa pressure drop

Weight: 2,7 kg

Outer Dimensions	
A. 231 mm	B. 65 mm
C. 141 mm	D. 178 mm

210E(Z)M

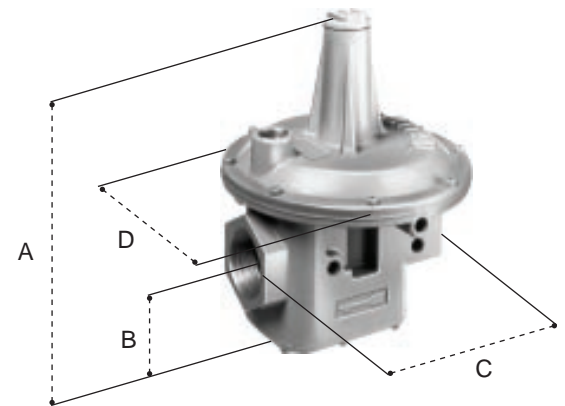
Pipe Sizes Rp 1½, 2

Capacity: 45,0 m³/h air @ 0,25 kPa pressure drop

Weight: 5,7 kg

Outer Dimensions	
A. 286 mm	B. 81 mm
C. 193 mm	D. 232 mm

210D(Z)M, 210E(Z)M, 210G(Z)M



NOTE: Dimensions are to be used only as an aid in designing clearance for the valve. Actual production dimensions may vary slightly from those shown.

210G(Z)M

Pipe Sizes: Rp 2½, 3

Capacity: 100,0 m³/h air @ 0,25 kPa pressure drop

Weight: 15,0 kg

Outer Dimensions	
A. 410 mm	B. 108 mm
C. 342 mm	D. 264 mm

210J(Z)M

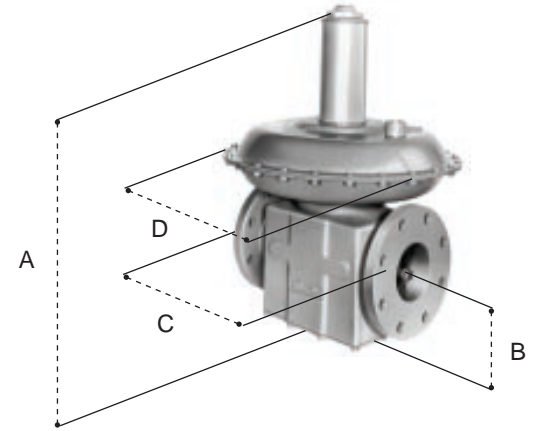
Pipe Sizes: DN 100 (flanged)

Capacity: 200,0 m³/h air @ 0,25 kPa pressure drop

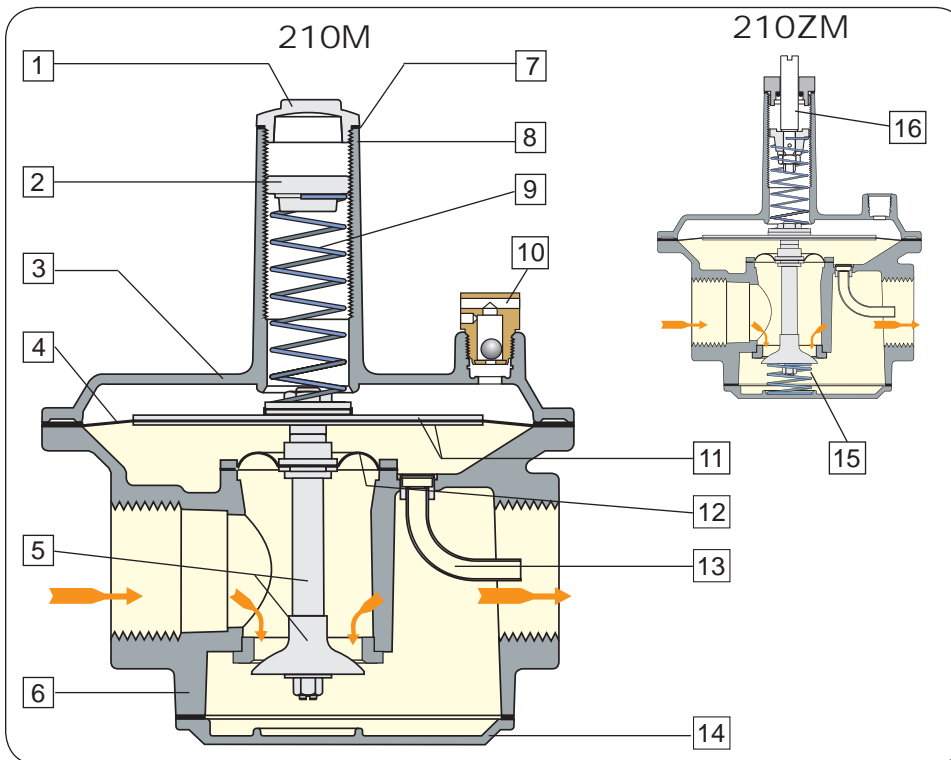
Weight: 57,8 kg

Outer Dimensions	
A. 588 mm	B. 139 mm
C. 350 mm	D. 457 mm

210J(Z)M



NOTE: Dimensions are to be used only as an aid in designing clearance for the valve. Actual production dimensions may vary somewhat from those shown.



- | | |
|------------------------|-----------------------------------|
| 1 Seal Cap | 9 Spring |
| 2 Adjusting Screw | 10 Vent Connection |
| 3 Top Housing | 11 Diaphragm Plates |
| 4 Regulating Diaphragm | 12 Balancing Diaphragm |
| 5 Stem & Valve | 13 Sensing Tube |
| 6 Bottom Housing | 14 Bottom Plate |
| 7 Seal Cap Gasket | 15 Counterspring |
| 8 Stack | 16 External Adjustment (optional) |

325 Series - LEVER ACTING DESIGN

DESCRIPTION

Maxitrol's 325 Series lever acting regulator with lock-up characteristic is designed for main burner and pilot applications.

SPECIFICATIONS

Connections:	Rp $\frac{3}{8}$ thru Rp $1\frac{1}{2}$
Housing Material:	Aluminium
Internal Components:	Steel, aluminium, elastomer, plastic
Mounting:	Suitable for multi-positional mounting. If vent limiting device is installed, mount in an upright position only. Install with gas flowing as indicated by the arrow on bottom casting.
Construction and Design:	According to EN 88 and Gas Appliance Directive 90/396/EEC
Classification:	Regulator grade A, group 2 according to EN 88
Gas Type:	Gas family 1, 2, and 3 according to EN 437
Inlet Pressure:	
325-3M, 325-5AM, 325-7M:	100 kPa
Outlet Pressure:	
325-3M, 325-5AM:	0,5 to 14 kPa
325-7M:	0,5 to 10,5 kPa
Ambient Temperature Range:	-15°C to 80°C
Thead Connections:	According to EN 10226-1 / ISO 7-1
Three different body sizes	
Pressure Drop:	Please refer to page 23.

NOTE: Dimensions are to be used only as an aid in designing clearance for the valve. Actual production dimensions may vary slightly from those shown.

325-3M

Pipe Sizes: Rp $\frac{3}{8}$, $\frac{1}{2}$

Capacity: 1,1 m³/h air @ 0,25 kPa pressure drop

Weight: 0,4 kg

Outer Dimensions	
A. 91 mm	B. 17 mm
C. 110 mm	D. 95 mm

325-5AM

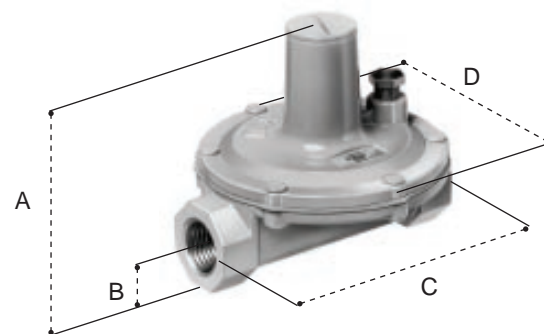
Pipe Sizes: Rp $\frac{1}{2}$, $\frac{3}{4}$, 1

Capacity: 2,5 m³/h air @ 0,25 kPa pressure drop

Weight: 0,82 kg

Outer Dimensions	
A. 139 mm	B. 23 mm
C. 155 mm	D. 139 mm

325-3M, 325-5AM



325-7M

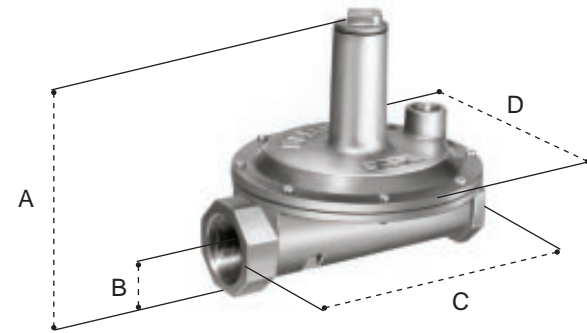
Pipe Sizes: Rp 1¼, 1½

Capacity: 6m³/h air @ 0,25 kPa pressure drop

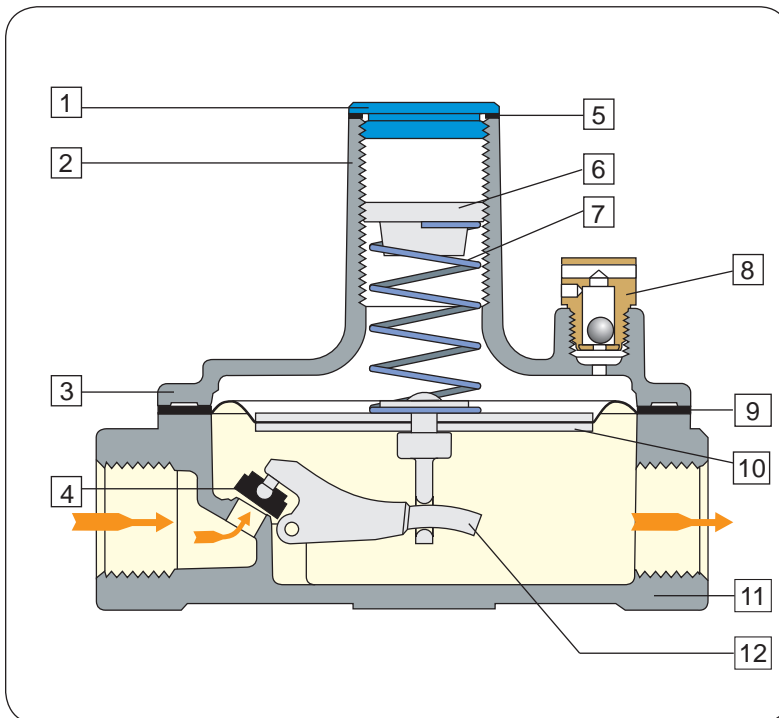
Weight: 0,8 kg

Outer Dimensions	
A. 181 mm	B. 31 mm
C. 203 mm	D. 178 mm

325-7M



NOTE: Dimensions are to be used only as an aid in designing clearance for the valve. Actual production dimensions may vary slightly from those shown.



- | | | | |
|---|-----------------|----|------------------|
| 1 | Seal Cap | 7 | Spring |
| 2 | Stack | 8 | Vent Connection |
| 3 | Top Housing | 9 | Diaphragm |
| 4 | Rubber Valve | 10 | Diaphragm Plates |
| 5 | Seal Cap Gasket | 11 | Bottom Housing |
| 6 | Adjusting Screw | 12 | Lever |

Vent Limiting Device

The Maxitrol vent limiting device permits the release of air into the environment during normal operation. In the event of a diaphragm rupture, gas escapement is limited to within the EN 88 / EN 13611 standard requirements. This Vent Limiting Device is part of the regulator and can only be used with Maxitrol regulators.

Pressure Tap Connector (optional)

No. PF10: Maxitrol's pressure tap connector installed as part of the control. It is a hose fitting incorporating a captured sealing means for reading outlet pressure.

CHOOSING A VENT ACCESSORY

NOTE: If Maxitrol's Vent Limiting Device is not used, regulator must be vent piped in accordance with government and local codes and regulations.

RV52M, RV53M, RV61M:	Rp 1/8	-----	Vent tap. Optional 12A04 Maxitrol Vent Limiting Device.
RV81M:	Rp 3/8	}	Vent tap. Optional 12A39 Maxitrol Vent Limiting Device.
RV91M-1616:	Rp 1/2		
RV91M-2020:	Rp 1/4		
RV111M:	Rp 3/4		
210D(Z)M:	Rp 3/8	}	Vent tap. Optional 12A09 Maxitrol Vent Limiting Device.
210E(Z)M:	Rp 1/2		
210G(Z)M:	Rp 3/4		
325-3M:	Rp 1/8	-----	Vent tap. Optional 12A09 Maxitrol Vent Limiting Device.
325-5AM:	Rp 3/8	}	Vent tap. Optional 12A39 Maxitrol Vent Limiting Device.
325-7M:	Rp 1/2		
R400SM/ZM, R500SM/ZM, R600SM/ZM: ..	Rp 1/8	-----	Vent tap. Optional 12A04 Maxitrol Vent Limiting Device.

Dust Cap

- Use on vent opening to prevent blockage of breather hole from dust or other foreign particles.
- **No. 13A09:** for Rp 1/8 NPT vent. Press-in dust cap.

VENT LIMITING DEVICES



12A04/12A09



12A39

PRESSURE TAP



PF10

DUST CAP



13A09

Tamper Proof Seals (TPS) (optional)

Permanent sealing of the seal cap screw. Tampering and unauthorized changing of outlet pressure can be easily detected. Available in two sizes.

- **No. 101310:**
for RV12LM, RV20LM, RV47LM, RV48LM, RV52M, RV53M, RV61M, R400SM/ZM, R500SM/ZM, R600SM/ZM, 325-3M, 325-5AM
- **No. 101311:**
for RV81M, RV91M, RV111M, RV131FM, 210D(Z)M, 210E(Z)M, 210G(Z)M, 210J(Z)M, 325-7M

Sizing a Regulator

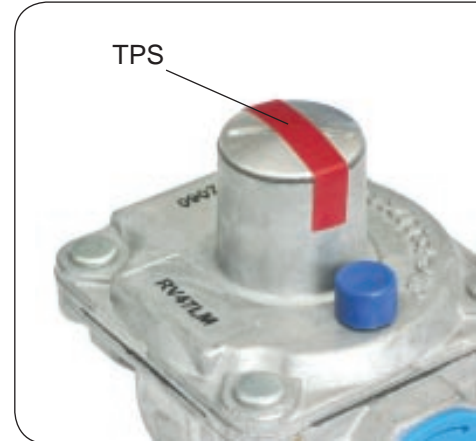
When sizing a regulator the following must be known:

- Available inlet pressure
- Desired outlet pressure
- Required maximum flow rate in m³/h or kW
- Pipe size
- Will the regulator be used for main burner and pilot application OR main burner only?
- Is positive dead-end lock-up required?
- Is it a zero pressure regulator application?

NOTE: Please contact Mertik Maxitrol directly for more information on sizing a regulator.

The capacity of any regulator (see diagrams pages 19-24) is not an absolute value but will vary with the application depending on the prevailing differential.

TAMPER PROOF SEALS



HF 2000 Series Gas & Air Filters

DESCRIPTION

Mertik Maxitrol's gas and air filters protect downstream controls (regulators, automatic shut-off valves) from particulate contamination.

SPECIFICATIONS

- Connections:** Rp ½ thru Rp 2, DN 25 thru DN 150 (flanged)
- Housing Material:** Aluminium
- Internal Components:** Aluminium, elastomer, polypropylene fleece, galvanized wire mesh
- Mounting:** Suitable for multi-positional mounting, preferably with lid facing down or to the side to facilitate removal of debris during maintenance. Install with gas flowing as indicated by the arrow on the casting.
- Construction and Design:** According to DIN 3386, Gas Appliances 90/396/EEC and Pressure Equipment Directive 97/23/EEC
- Gas Type:** Gas family 1, 2, and 3 according to EN 437
- Pressure Tap Connector:** Optional: pressure tap (PF10) connection inlet and/or outlet side
- Ambient Temperature Range:** -20°C to 80°C
- Storage and Transport Temperature:** -50°C to 80°C
- Thread Connections:** According to EN 10226-1 / ISO 7-1, Rp ½ thru Rp 2
- Flanged Connections:** According to ISO 7005-2, PN 16; DN 25 thru DN 150
- Eight different body sizes**
- Pressure drop:** Please refer to page 24.
- Service:** It is recommended to replace the filter insert every year or if the pressure drop $\Delta p > 1$ kPa.

THREAD CONNECTION

GF40M-44

Pressure: 100 kPa, 400 kPa

Pipe Sizes: Rp ½

Weight: 0,2 kg

Outer Dimensions			
H2.	31 mm	D1.	58x58 mm
H1.	22 mm	L.	68 mm
a (Space for filter replacement) 60 mm			

GF60M-66

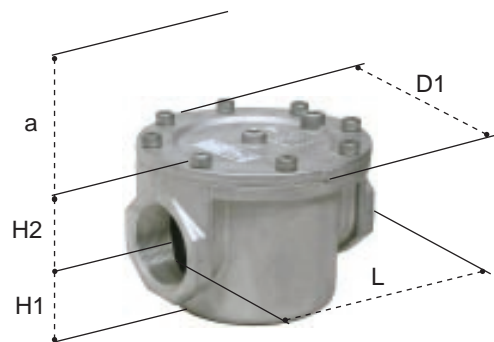
Pressure: 100 kPa, 400 kPa

Pipe Sizes: Rp ¾

Weight: 0,7 kg

Outer Dimensions			
H2.	53 mm	D1.	94x94 mm
H1.	41 mm	L.	110 mm
a (Space for filter replacement) 100 mm			

THREADED



NOTE: Dimensions are to be used only as an aid in designing clearance for the valve. Actual production dimensions may vary slightly from those shown.

GF60M-88

Pressure: 100 kPa, 400 kPa
Pipe Sizes: Rp 1
Weight: 0,7 kg

Outer Dimensions		
H2.	53 mm	D1. 94x94 mm
H1.	41 mm	L. 110 mm
a (Space for filter replacement) 100 mm		

GF80M-1010

Pressure: 100 kPa, 400 kPa
Pipe Sizes: Rp 1½
Weight: 1,7 kg

Outer Dimensions		
H2.	69 mm	D1. 154 mm
H1.	57 mm	L. 157 mm
a (Space for filter replacement) 150 mm		

GF80M-1212

Pressure: 100 kPa, 400 kPa
Pipe Sizes: Rp 1½
Weight: 1,7 kg

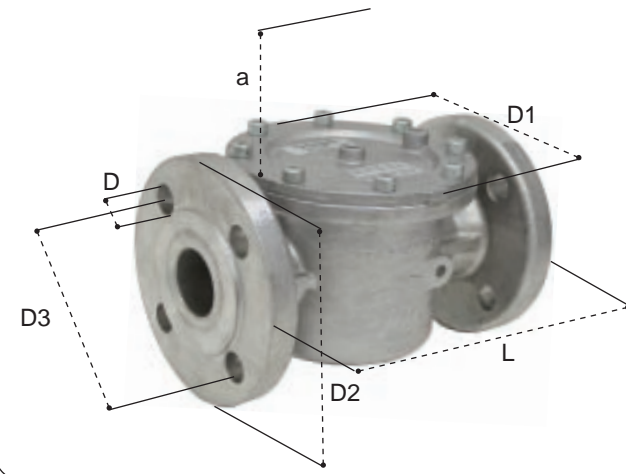
Outer Dimensions		
H2.	69 mm	D1. 154 mm
H1.	57 mm	L. 157 mm
a (Space for filter replacement) 150 mm		

GF80M-1616

Pressure: 100 kPa, 400 kPa
Pipe Sizes: Rp 2
Weight: 1,7 kg

Outer Dimensions		
H2.	69 mm	D1. 155 mm
H1.	57 mm	L. 157 mm
a (Space for filter replacement) 150 mm		

FLANGED



NOTE: Dimensions are to be used only as an aid in designing clearance for the valve. Actual production dimensions may vary slightly from those shown.

n = number of the flange holes

FLANGE CONNECTION

GF25MF-88

Pressure: 100 kPa, 400 kPa, 600 kPa
Pipe Sizes: DN 25
Weight: 1,4 kg

Outer Dimensions			
L.	165 mm	D2.	115 mm
D1.	94x94 mm	D3.	85 mm
a (Space for filter replacement) 100 mm			

GF40MF-1212

Pressure: 100 kPa, 400 kPa, 600 kPa
Pipe Sizes: DN 40
Weight: 3,2 kg

Outer Dimensions			
L.	223 mm	D2.	150 mm
D1.	155 mm	D3.	110 mm
a (Space for filter replacement) 130 mm			

GF50MF-1616

Pressure: 100 kPa, 400 kPa, 600 kPa
Pipe Sizes: DN 50
Weight: 3,2 kg

Outer Dimensions			
L.	210 mm	D2.	165 mm
D1.	155 mm	D3.	125 mm
a (Space for filter replacement) 130 mm			

GF65MF-2020

Pressure: 100 kPa, 400 kPa, 600 kPa
Pipe Sizes: DN 65
Weight: 4,6 kg

Outer Dimensions			
L.	245 mm	D2.	185 mm
D1.	190 mm	D3.	145 mm
a (Space for filter replacement) 190 mm			

GF80MF-2424

Pressure: 100 kPa, 400 kPa, 600 kPa

Pipe Sizes: DN 80

Weight: 5,8 kg

GF100MF-3232

Pressure: 100 kPa, 400 kPa, 600 kPa

Pipe Sizes: DN 100

Weight: 8,5 kg

GF125MF-4040

Pressure: 100 kPa, 400 kPa, 600 kPa

Pipe Sizes: DN 125

Weight: 14,1 kg

GF150MF-4848

Pressure: 100 kPa, 400 kPa, 600 kPa

Pipe Sizes: DN 150

Weight: 19,8 kg

Outer Dimensions		
L. 285 mm	D2. 200 mm	nxD. 8x18 mm
D1. 208 mm	D3. 160 mm	
a (Space for filter replacement) 200 mm		

Outer Dimensions		
L. 340 mm	D2. 220 mm	nxD. 8x18 mm
D1. 263 mm	D3. 180 mm	
a (Space for filter replacement) 220 mm		

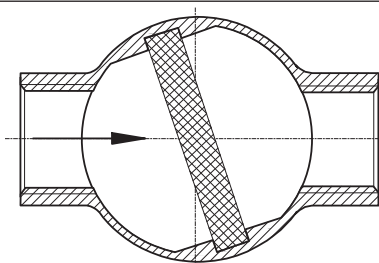
Outer Dimensions		
L. 400 mm	D2. 250 mm	nxD. 8x18 mm
D1. 315 mm	D3. 210 mm	
a (Space for filter replacement) 270 mm		

Outer Dimensions		
L. 450 mm	D2. 285 mm	nxD. 8x22 mm
D1. 356 mm	D3. 240 mm	
a (Space for filter replacement) 310 mm		

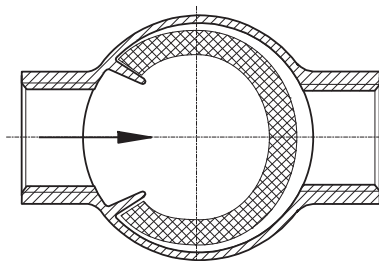
NOTE: Dimensions are to be used only as an aid in designing clearance for the valve. Actual production dimensions may vary slightly from those shown.

n = number of the flange holes

FILTER INSERTS



Filter Insert for:
Rp 1/2, 3/4, 1 & DN 25



Filter Insert for:
Rp 1 1/4, 1 1/2, 2 &
DN 40 thru DN 150

GAS FILTER SERVICE KIT (Insert, Gasket, and Screws)

	Type	Units per Package
Rp 1/2	Kit-GF40M	10
Rp 3/4	Kit-GF60M	
Rp 1		
Rp 1 1/4	Kit-GF80M	
Rp 1 1/2		
Rp 2		
DN 25	Kit-GF60M	5
DN 40	Kit-GF80M	
DN 50		
DN 65	Kit-GF65MF	
DN 80	Kit-GF80MF	
DN 100	Kit-GF100MF	3
DN 125	Kit-GF125MF	2
DN 150	Kit-GF150MF	

RVLM Series Pressure Drop Chart

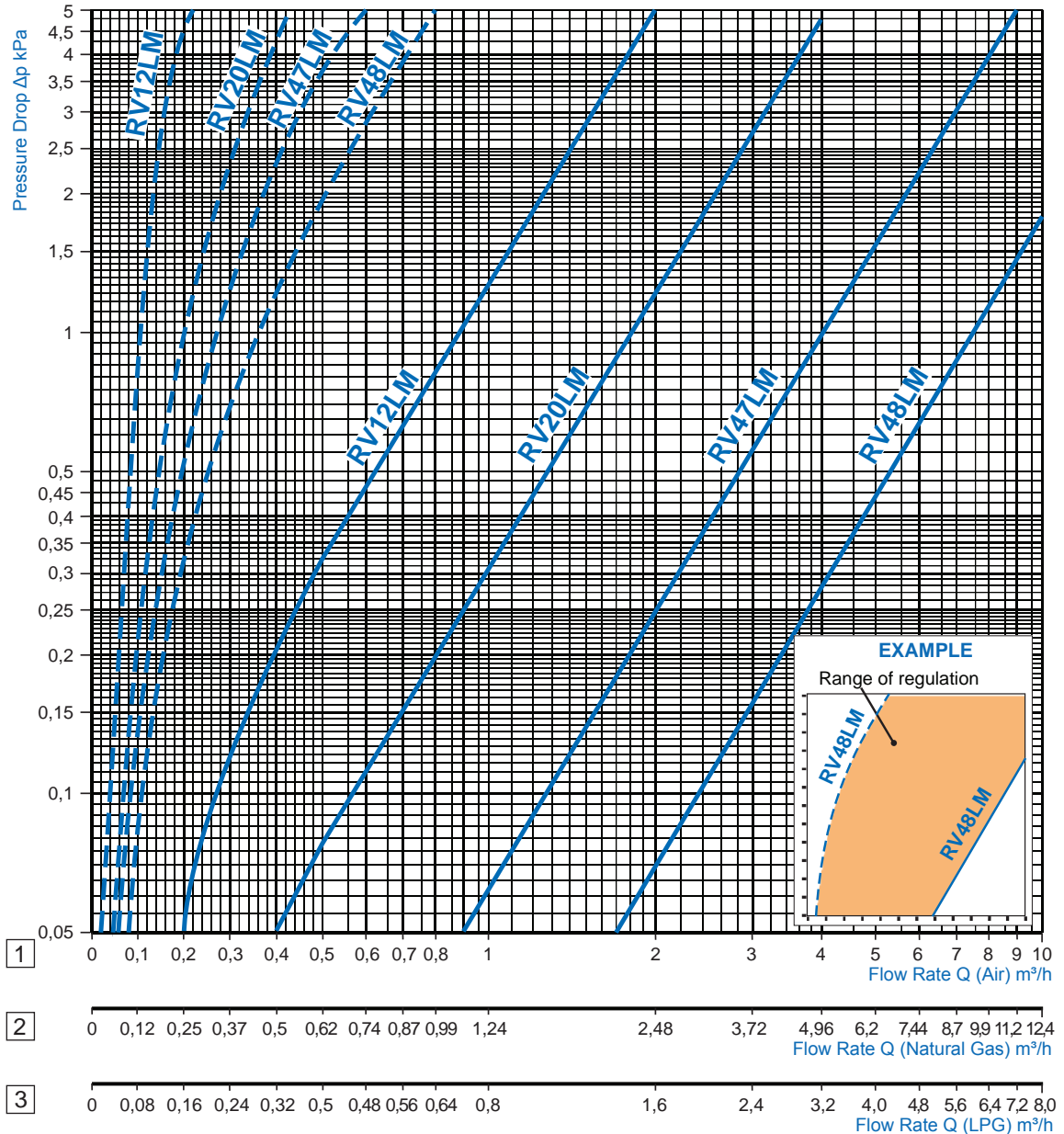
NOTE: Values below apply to all pressure drop charts on pages 19-24.

- 1 = Air
dv = 1,00
f = 1,00
- 2 = Natural Gas
dv = 0,64
f = 1,24
- 3 = LPG
dv = 1,56
f = 0,80

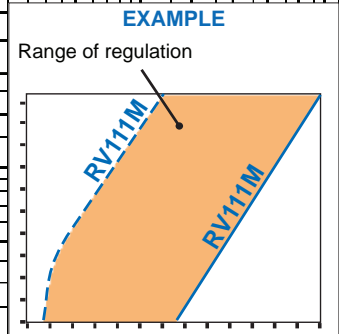
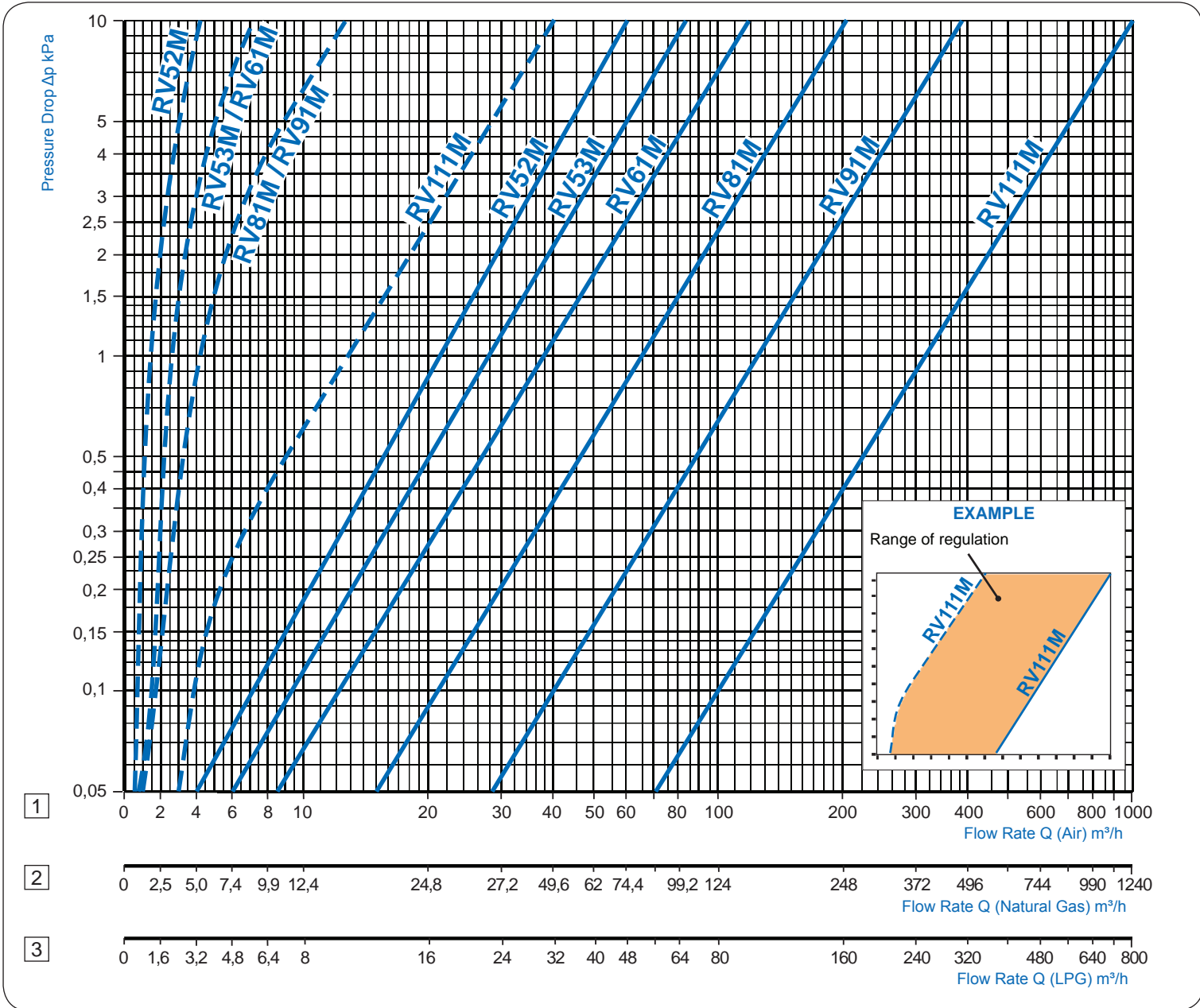
$$dv = \frac{\rho_{\text{gas}}}{\rho_{\text{air}}}$$

$$f = \sqrt{\frac{\rho_{\text{air}}}{\rho_{\text{gas}}}}$$

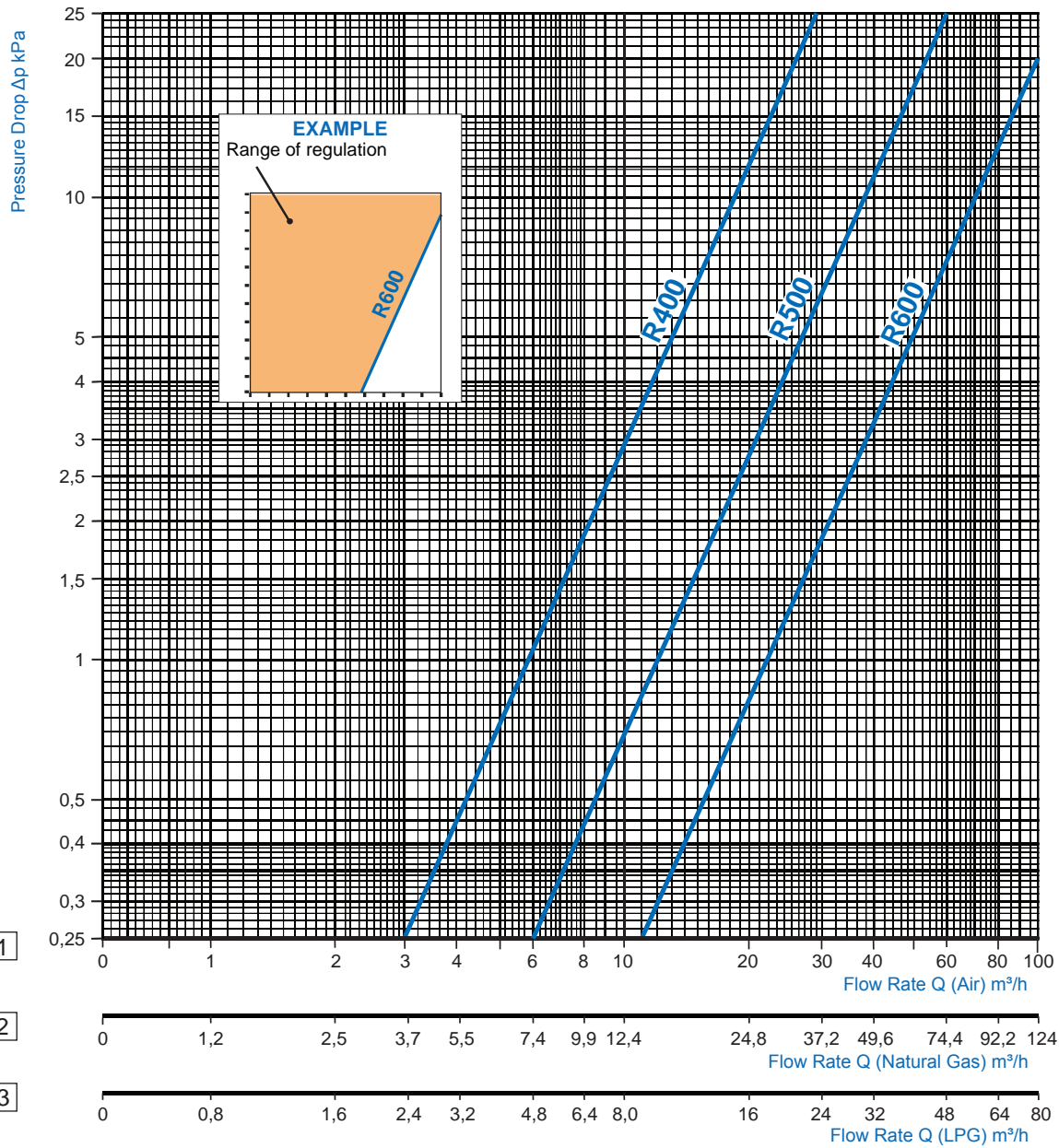
$$\dot{V}_{\text{gas}} = f \cdot \dot{V}_{\text{air}}$$



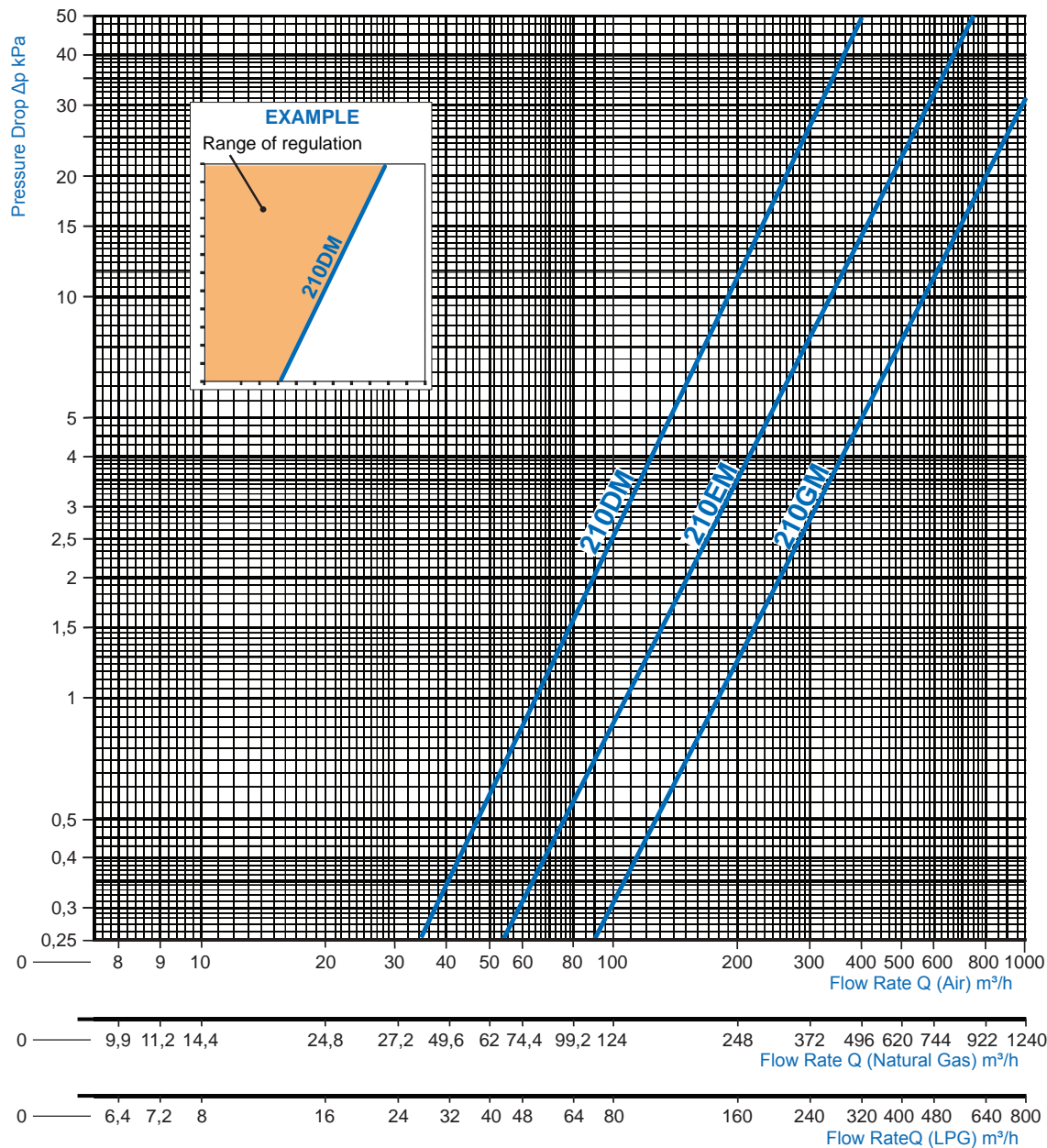
RV Series Pressure Drop Chart



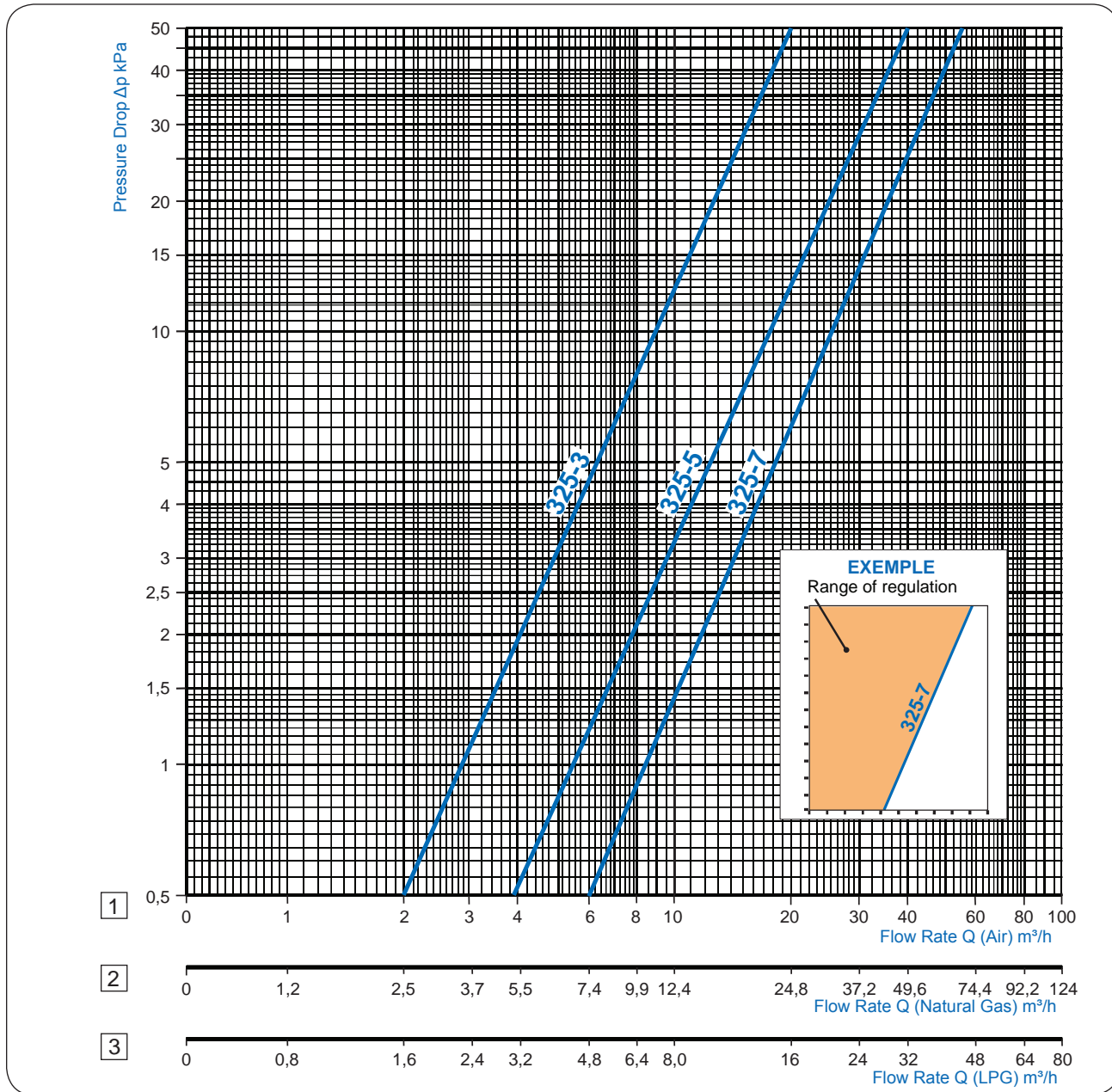
R & RS Series Pressure Drop Chart



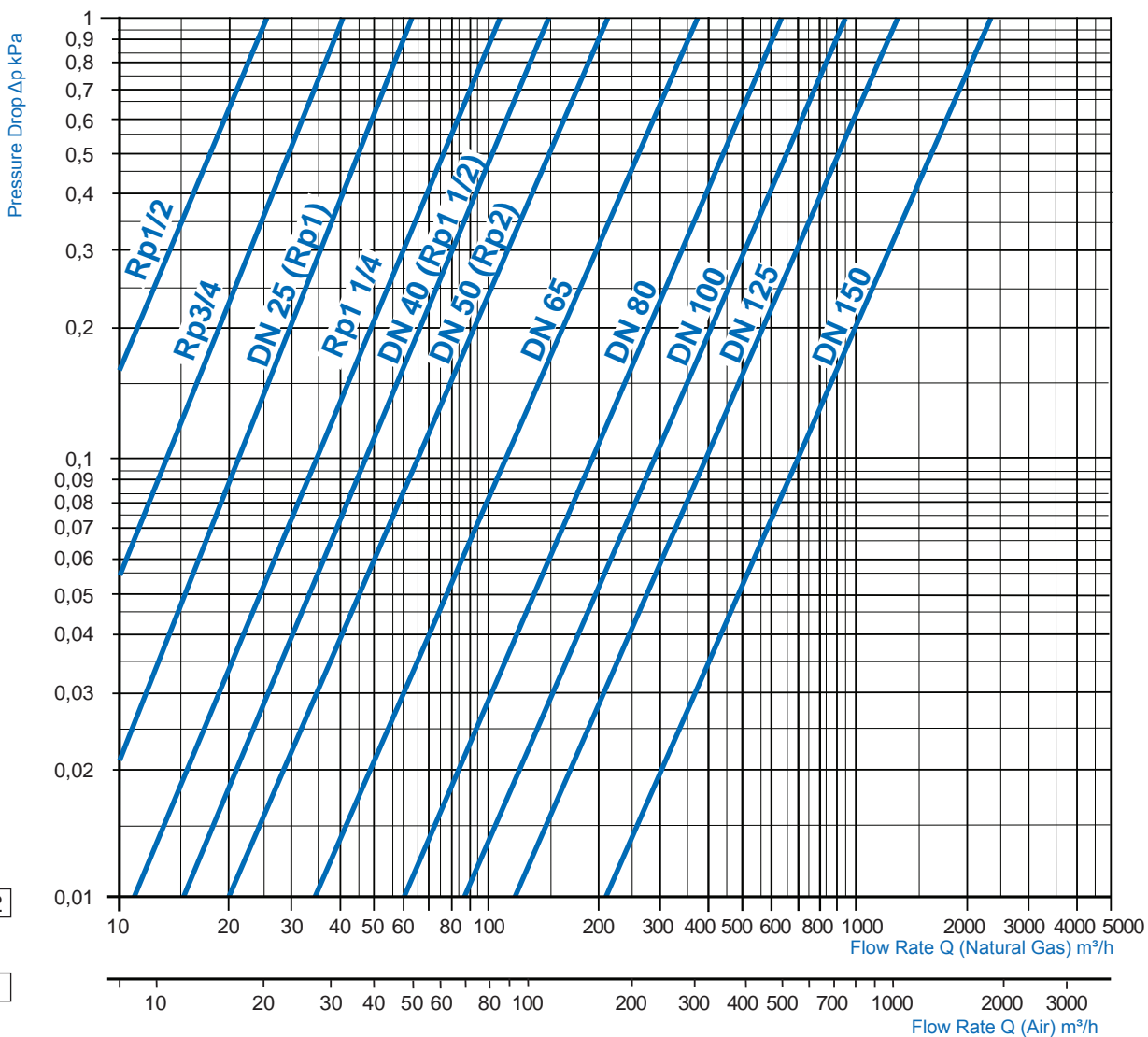
210 Series Pressure Drop Chart



325 Series Pressure Drop Chart



HF 2000 Series Gas & Air Filters Pressure Drop Chart



NOTE: Dimensions only apply to appliances with filter pads in new condition (clean).

Gas Pressure Regulators & Filters

MERTIK MAXITROL

Mertik Maxitrol GmbH & Co. KG
Exclusive Distributor for Maxitrol Company

Warnstedter Str. 3
06502 Thale
Germany
Tel: + 49 - 3947 - 400 - 0
Fax: + 49 - 3947 - 400 - 200
www.mertikmaxitrol.com

GDR.GF-LT-EN-10.2009